



Description

Speaker Series designed for flush-mounting in false ceilings or panels, it's realized by white ABS body and white metal front grille.

The CSP06T is made up of a bicone loudspeaker Ø 140 m.

The transformer for the constant voltage line built on the speaker allows connections at 6 and 3 W.

The CSP10T is made up of a bicone loudspeaker Ø 160 m.

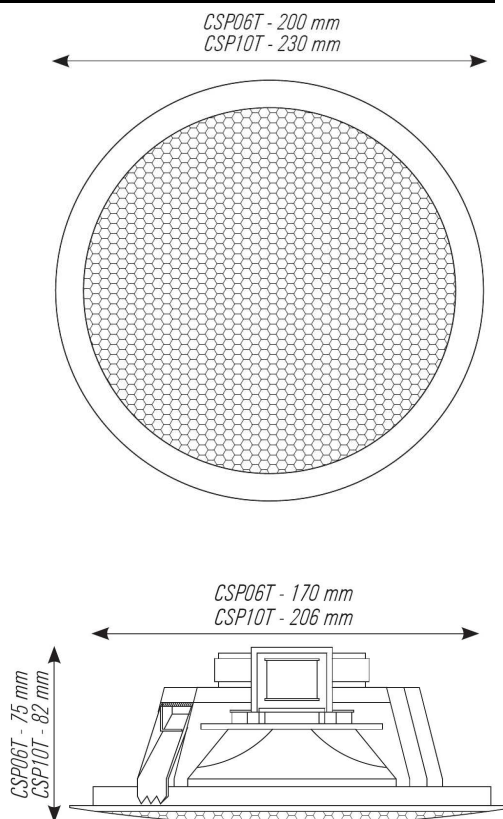
The transformer for the constant voltage line built on the speaker allows connections at 10 and 5 W.

These speakers are the ideal solution for all the constant voltage systems used for both music and voice reproduction.

Quick and easy installation in false ceiling of different thickness thanks to the spring brackets.

Ceiling Speakers are made by self – extinguish material.

Dimensions and Fixing Holes



Installation Instructions

Before the device use, we recommend to read the connection instructions carefully.

Once the fixing hole, of an appropriate diameter, has been made in the false ceiling, depending by the model of speaker used, follow the instructions given below:

1. Connect the cable coming from the amplifier to the clamps, respecting the polarity; the 0 V cable line must be connect to the clamp 1 and the 100 V cable line to the clamp 2.

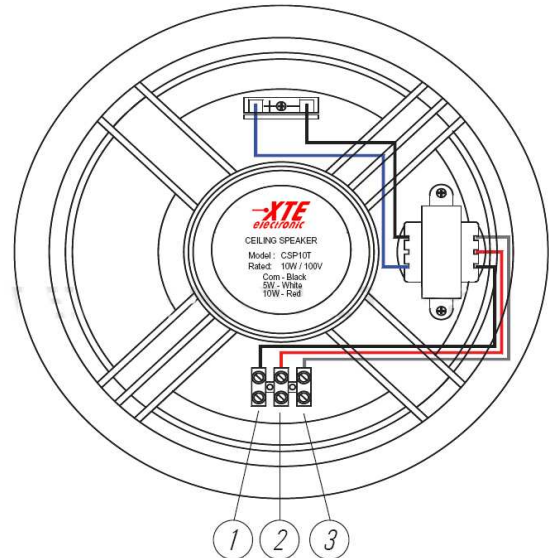
In this way, the speaker is connected with a power of 6 W RMS for the CSP06T and at 10 W for the CSP10T. To set lower powers, move only the 100V cable line to the clamp 3.

2. Lift the brackets with the retention spring which are at the sides, insert the speaker in the false ceiling and release the brackets.

Note

Connect the speaker with the constant voltage line always disconnected from the amplifier.

The sum (in power) of every sound speaker must never exceed the amplifier's rated load.



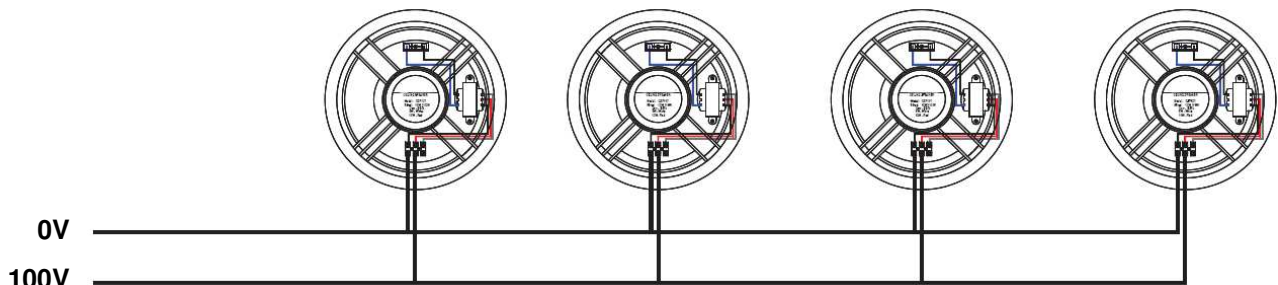
CSP06T

- 1 - Common = Black
- 2 - 6W = Red
- 3 - 3W = Grey

CSP10T

- Common = Black
- 10W = Red
- 5W = Grey

Constant voltage line connection 0/100 V



Specifications

MODEL	CSP06T	CSP10T
Nominal Power	6-3W 100V	10-5W 100V
Frequency Response (-3dB)	110Hz÷13KHz	110Hz÷13KHz
Sensitivity (1W@1m)	90dB	90dB
SPL Max	98dB	100dB
Loudspeakers	6"bicone	8"bicone
Cabinet	White ABS	White ABS
Fixing Holes	Ø170	Ø206
Dimensions	Ø190x75mm	Ø230x82mm
Weight -Net	750gr	970gr

XTE electronic

Via Tragni, 6
42043 Gattatico RE
ITALY

Tel. +39 0522 900166
Fax. +39 0522 678548

WWW.XTEELECTRONIC.COM