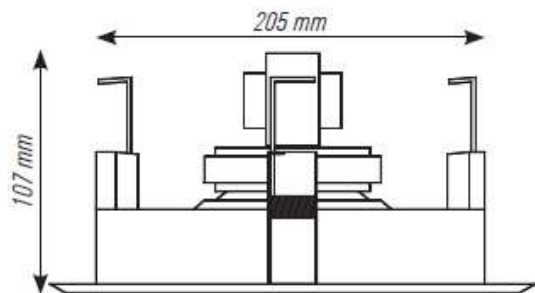
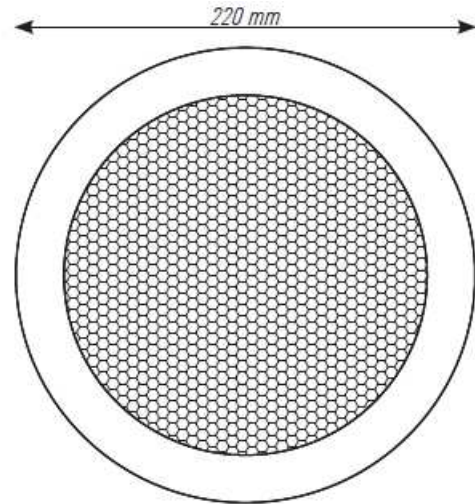




Description

This dual-cone sound speaker has been designed using the best components available on the market. It is made up of a dual-cone speaker Ø 150 mm and a transformer for the constant voltage line inserted inside the speaker allowing connections at 10, 5 and 2.5 W. The three spring supports allow easy and quick installation in the various types of false ceiling. As an optional the flame-retardant cap (CAF10) and the ceramic terminal block with thermo-fuse (ACF10) allow the connection of this speaker in environments that must comply with the standard EN60849.

Dimensions and Fixing Holes



Specifications

MODEL	CSF10T
Nominal Power	10-5-2,5W 100V
Frequency Response (-3dB)	110Hz ÷ 13kHz
Sensitivity (1W@1m)	90dB
SPL Max	100dB
Loudspeakers	6,5", Bicone
Dispersion Angle	150°
Cabinet	White Metal
Fixing Hole	Ø205mm
Dimensions (WxHxD)	Ø220x107mm
Weight - Net	1,4Kg
Optional	<u>ACF10</u> ; <u>CAF10</u>

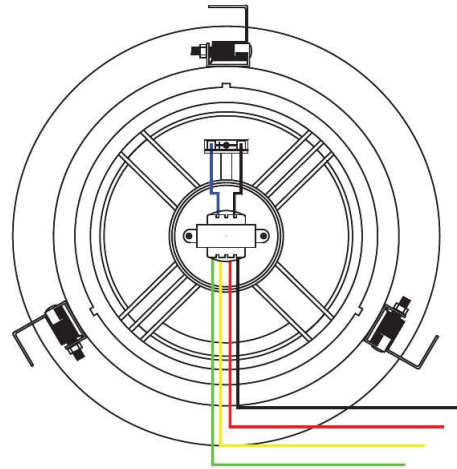
Installation Instructions

Before the device use, we recommend to read the connection instructions carefully.
Once the fixing hole has been made in the false ceiling, follow the instructions given below:

1. Connect the cables of the transformer to 4 poles terminal block.
2. Connect the cable coming from the amplifier to the clamps choosing the desired power range and respecting the polarity.
3. Lift the brackets with the retention spring which are at the sides, insert the speaker in the false ceiling and release the brackets.

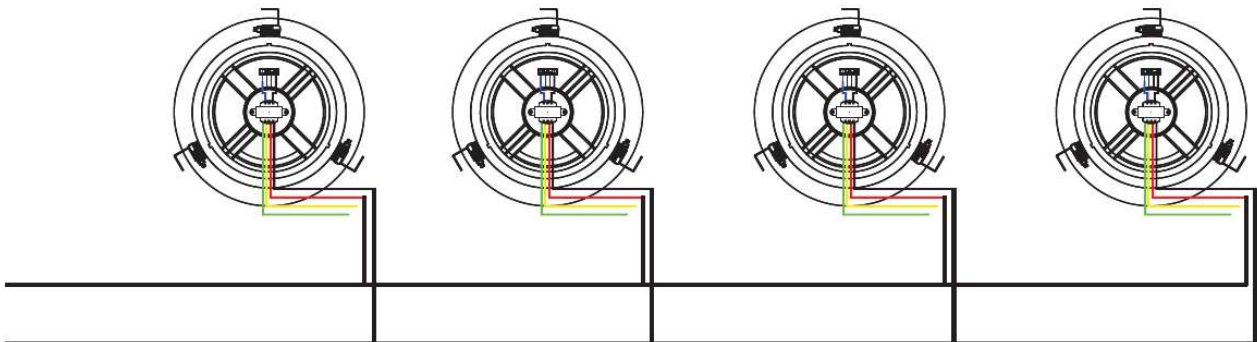
Note:

Connect the speaker with the constant voltage line always disconnected from the amplifier.
The sum (in power) of every sound speaker must never exceed the amplifier's rated load.



Common = Black
10W = Red
5W = Yellow
2,5W = Green

Constant voltage line connection 0/100 V



Optionals

CAF10 Firedome



ACF10 Terminal block with thermo-fuse

