



Description

These compact two way speakers have been designed for either constant voltage and constant impedance systems.

The speakers provide natural, smooth sound reproduction ideal for all the indoor / outdoor sound broadcasting applications.

The elegant design makes these speakers easy to integrate into any environment.

The BP20T is made up by a woofer of Ø 100 mm and a dome tweeter of Ø 25 mm.

The BP30T is made up by a woofer of Ø 130 mm and a dome tweeter of Ø 25 mm.

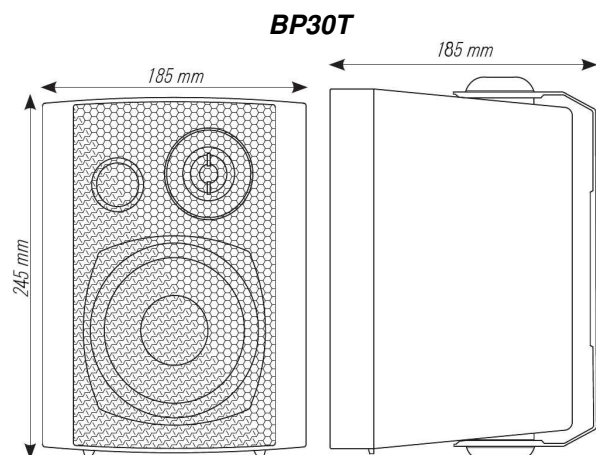
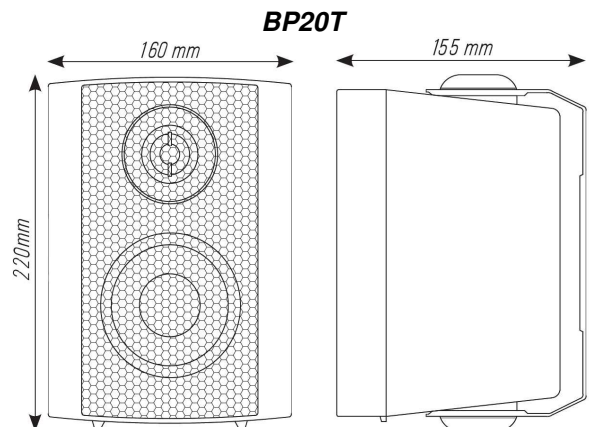
The speakers are equipped by Transformer that enables connection to constant voltage lines at 100V, with the possibility to select, by multi position rotary dial, the sound power to be delivered from various values.

Wall Speakers are also designed to be connected at low impedance 8ohm.

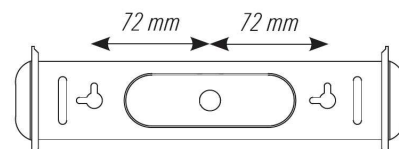
Quick and easy installation on wall by the enclosed wall mounting bracket or by the fixing holes arranged on the speaker cabinet.

Wall Speakers are made by self – extinguish white ABS material body and white metal front grille.

Dimensions and Fixing Holes



BP20T – BP30T Wall Mounting Bracket



Installation Instructions

Before the device use, we recommend to read the connection instructions carefully.

Once the speaker installation has been made in the best position for the best audio diffusion, follow the instructions given below:

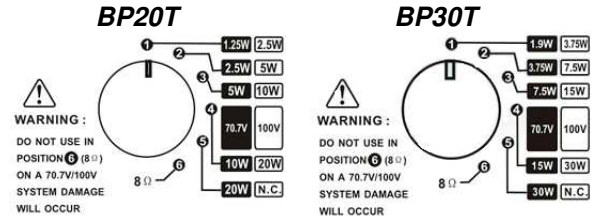
1. Select by the rotary dial the interested power value of work.
2. Connect the cable coming from the amplifier to the clamps, respecting the polarity; the 0V cable line must be connect to the Black clamp and the 100V cable line to the Red clamp.

Note

Connect the speaker with the constant voltage line always disconnected from the amplifier.

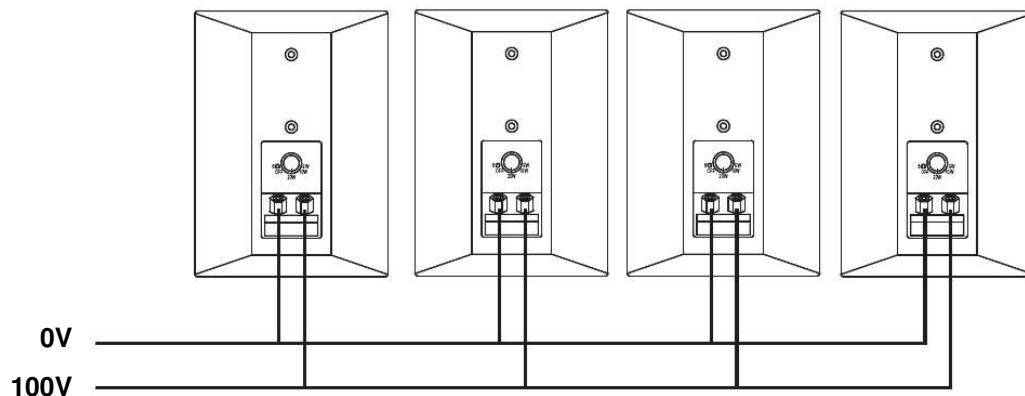
The sum (in power) of every sound speaker must never exceed the amplifier's rated load.

Connect the speaker in parallel or serial mode to have the interested impedance value if a low impedance line is used.



Common = Black Clamp
100V/70V/8ohm = Red Clamp

Constant voltage line connection 0/100 V



Specifications

MODEL	BP20T	BP30T
Nominal Power	20-10-5W 100V 8ohm	30-15-7,5W 100V 8ohm
Frequency Response (-3dB)	80Hz÷20KHz	75Hz÷20KHz
Sensitivity (1W@1m)	89dB	90dB
SPL Max	98dB	105dB
Loudspeakers	4"woofer, 1"tweeter	5"woofer, 1"tweeter
Dispersion Angle (H/V)	170°/160°	160°/150°
Cabinet	White ABS	White ABS
Dimensions (WxHxD)	160x220x155mm	185x245x185mm
Weight -Net	2,1Kg	2,5Kg

XTE electronic

Via Tragni, 6
42043 Gattatico RE
ITALY

Tel. +39 0522 900166
Fax. +39 0522 678548

WWW.XTEELECTRONIC.COM